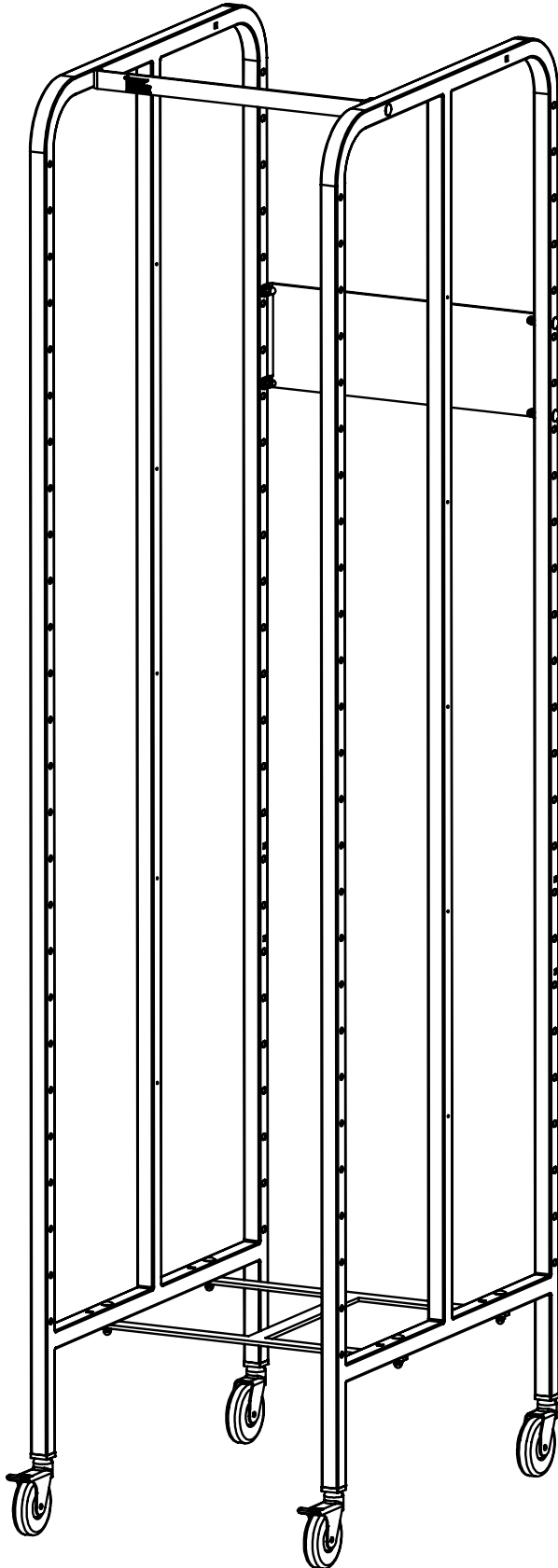


INSTRUCTIONS FOR Storage Rack (#18529)



Call Free: 1.800.848.1633 • Fax Free: 1.800.447.2923
GoHCL.com • hcl@GoHCL.com

INSTRUCTIONS FOR Storage Rack (#18529)

TOOLS

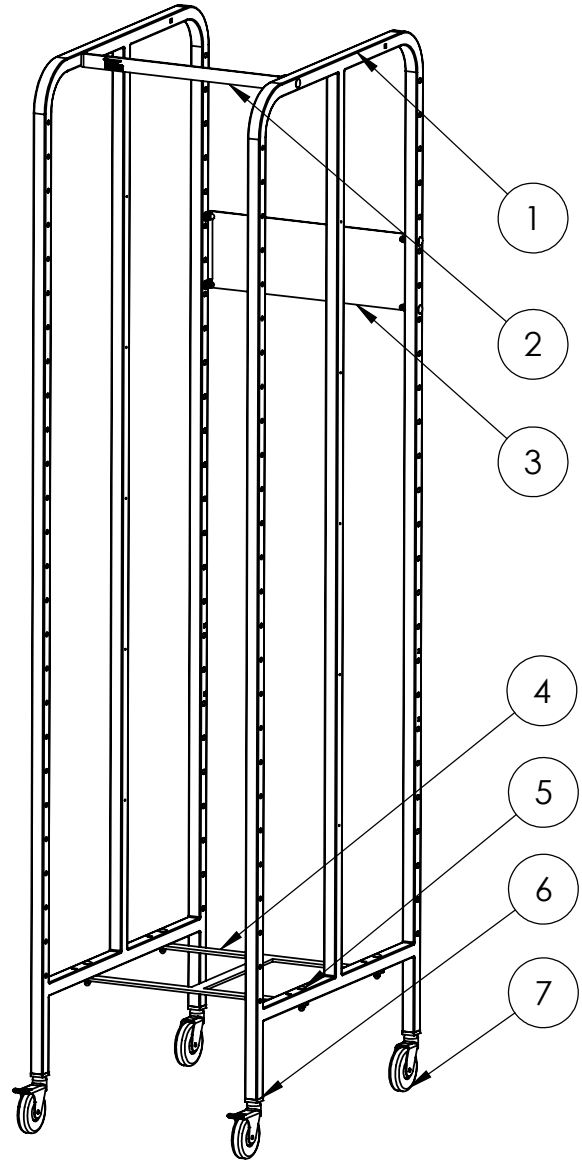


Soft head
hammer

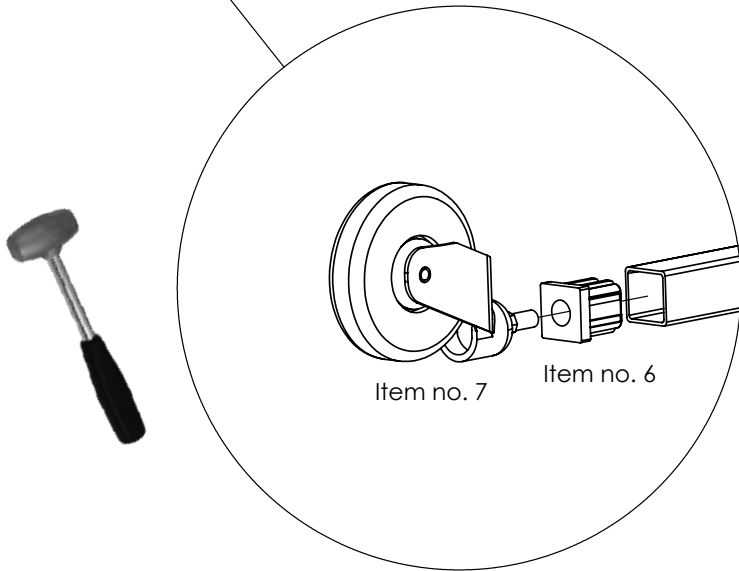
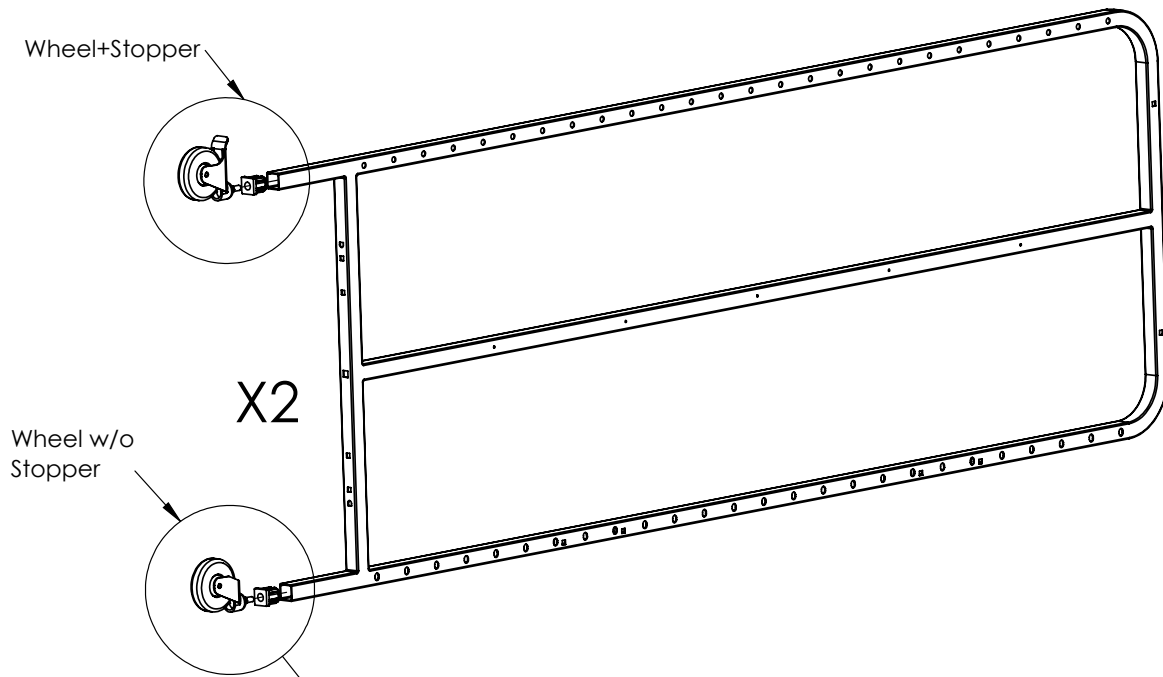
Wrench
no. 10



X2		X1	
		X1	
		X1	
X2	X2	X4	X10
3" Caster		Feet Insert	Cap nut Washer

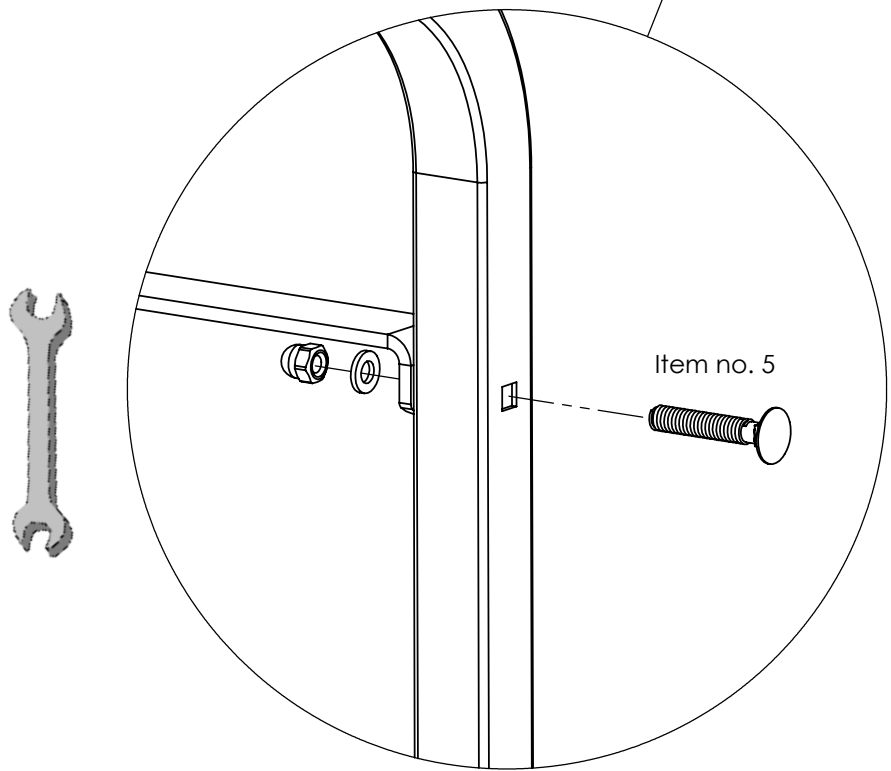
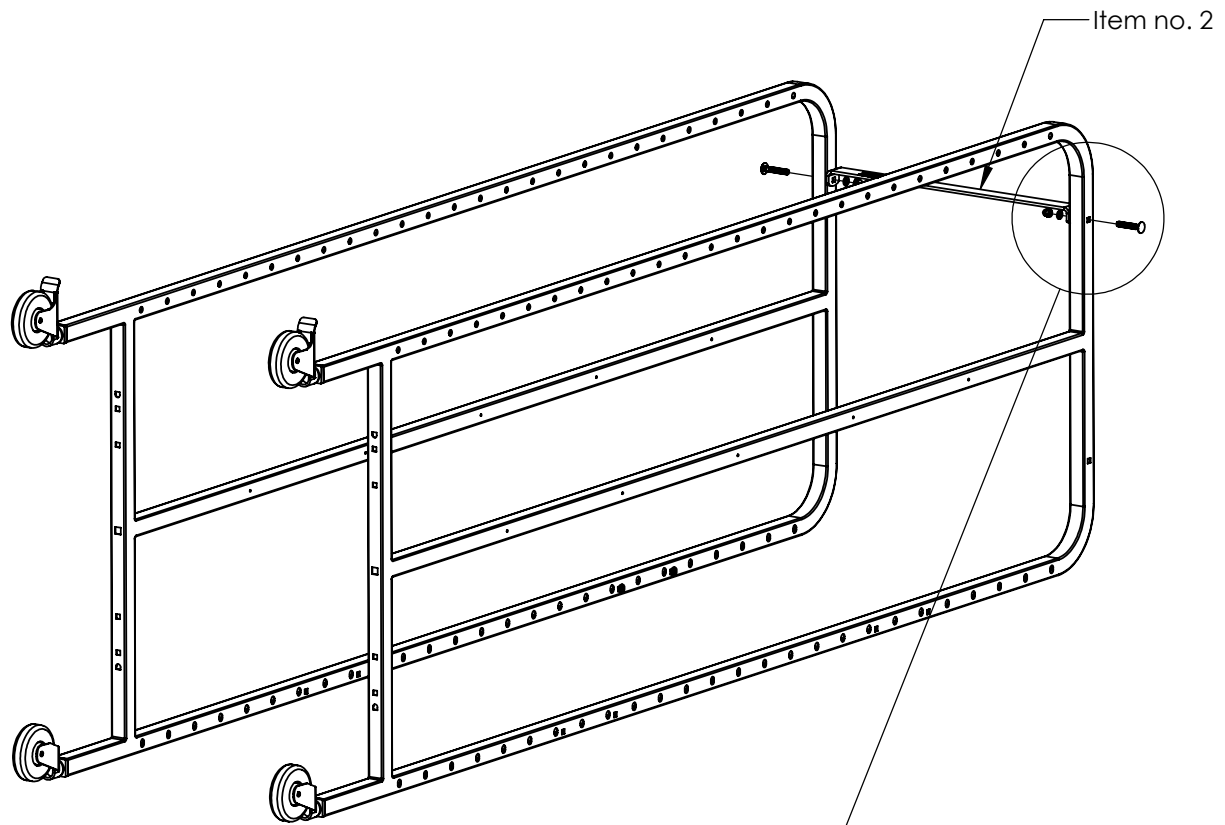


INSTRUCTIONS FOR Storage Rack (#18529)



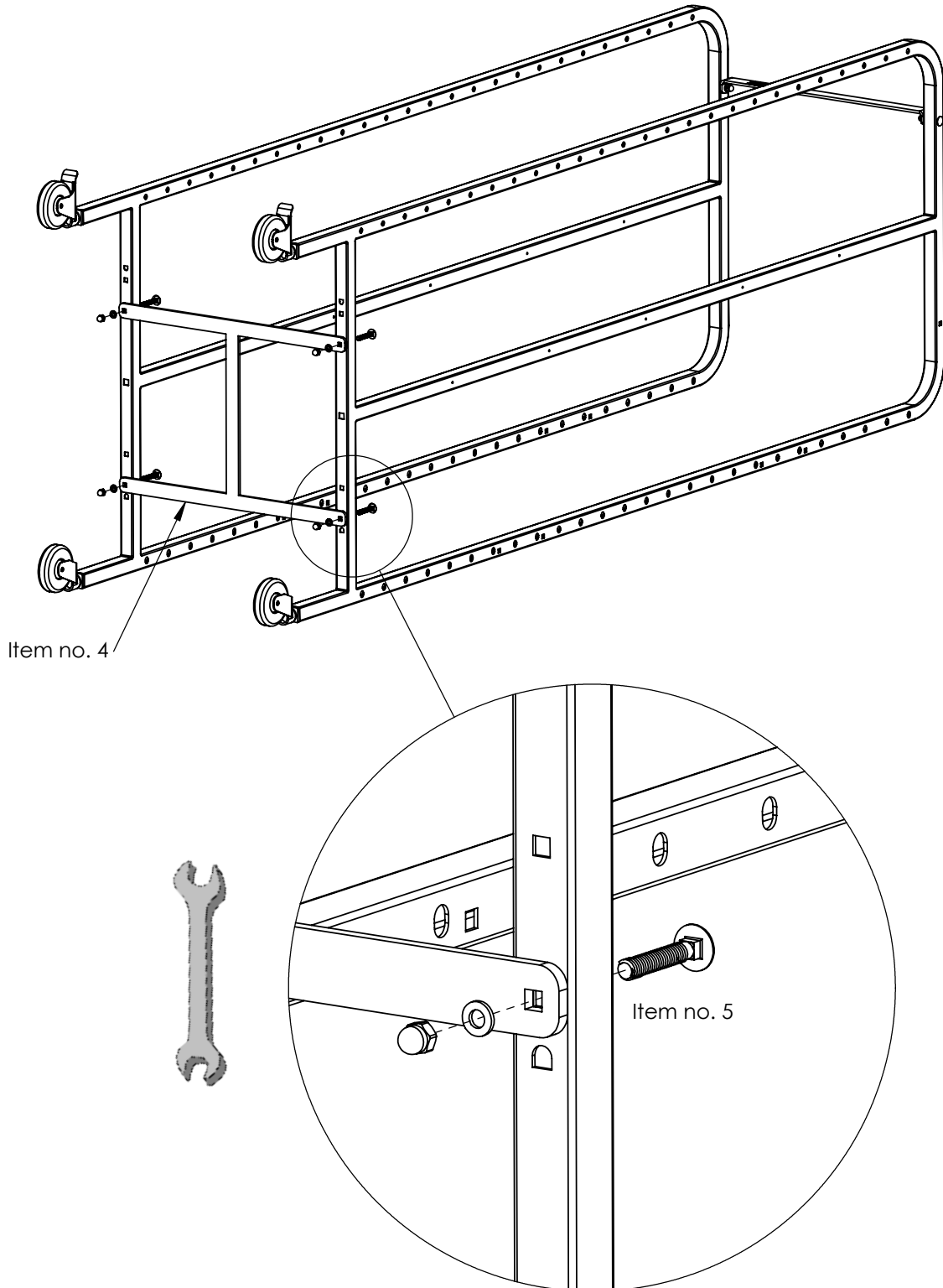
*Leveling Feet can be used instead of wheels

INSTRUCTIONS FOR Storage Rack (#18529)



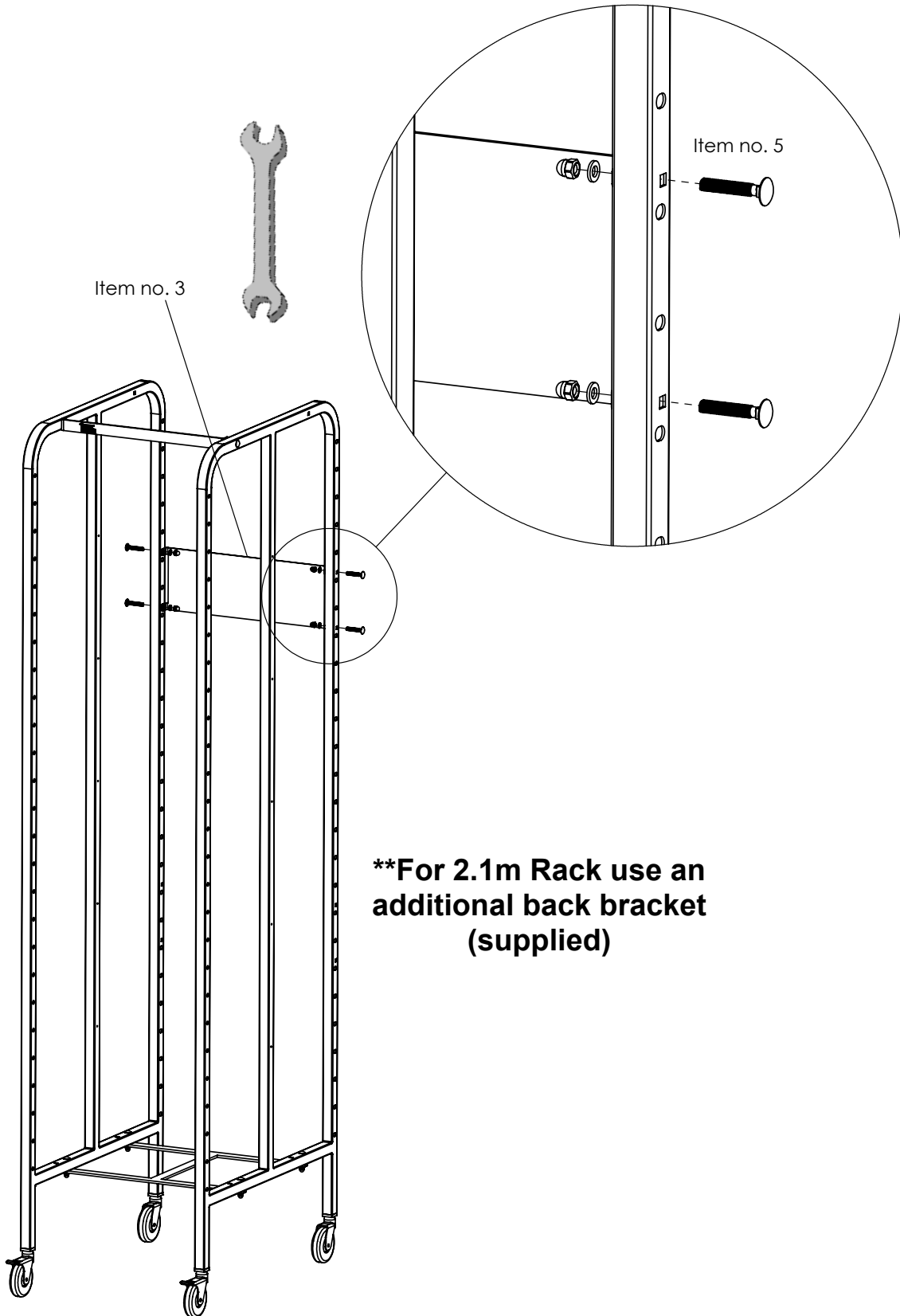
Call Free: 1.800.848.1633 • Fax Free: 1.800.447.2923
GoHCL.com • hcl@GoHCL.com

INSTRUCTIONS FOR Storage Rack (#18529)



Call Free: 1.800.848.1633 • Fax Free: 1.800.447.2923
GoHCL.com • hcl@GoHCL.com

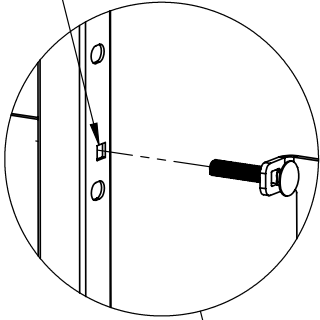
INSTRUCTIONS FOR Storage Rack (#18529)



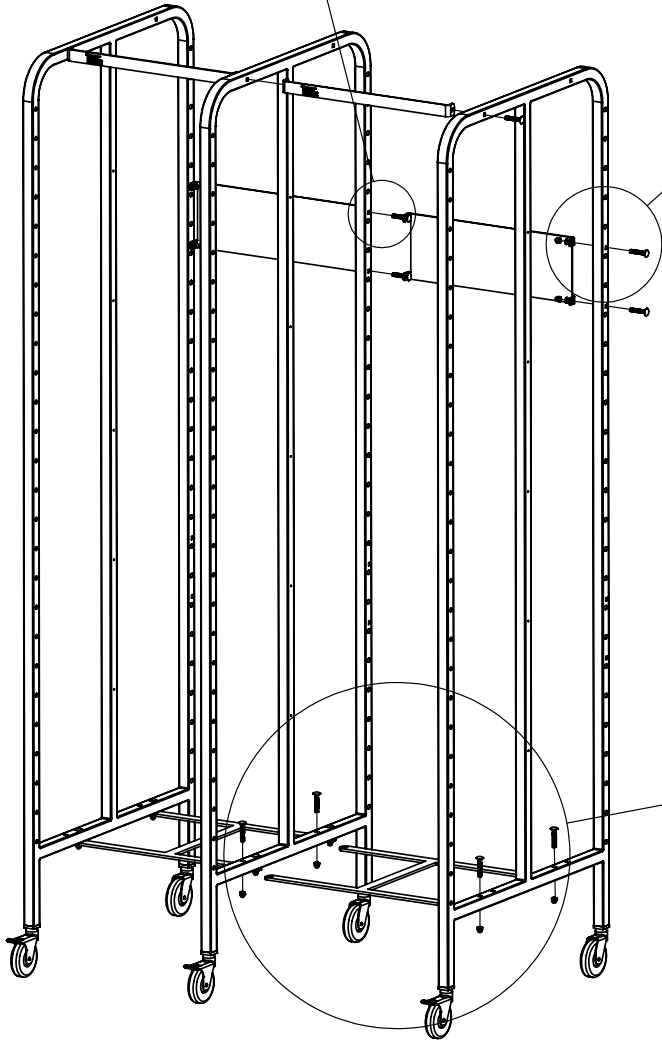
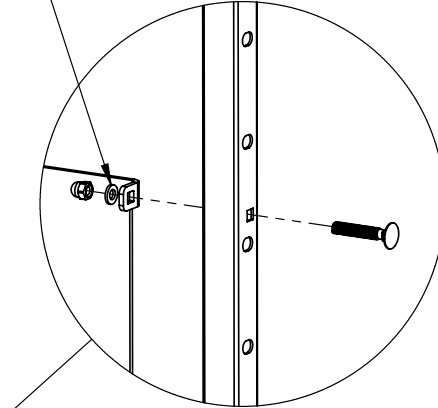
****For 2.1m Rack use an
additional back bracket
(supplied)**

INSTRUCTIONS FOR Storage Rack (#18529)

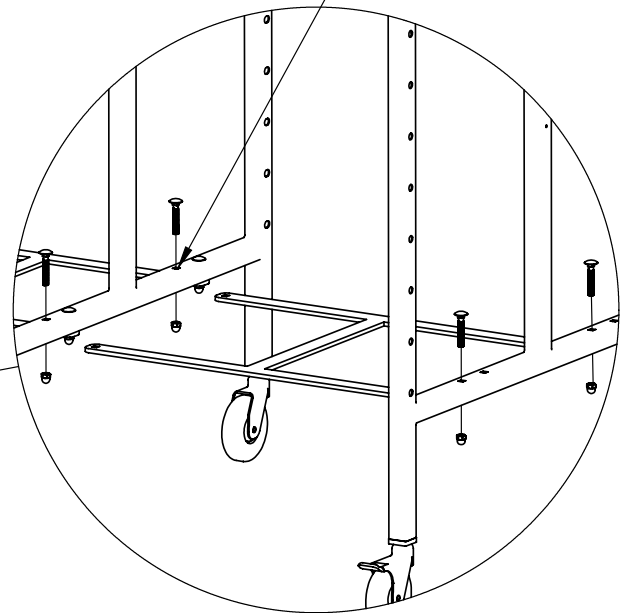
**Use same hole
to assemble the new
bracket



*Use the supplied washers
to connect a single bracket
to the rack frame



**Use adjacent
hole

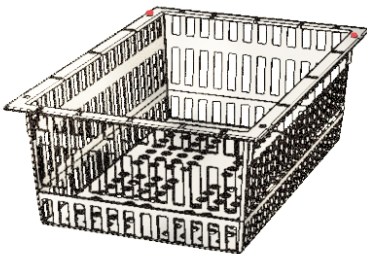
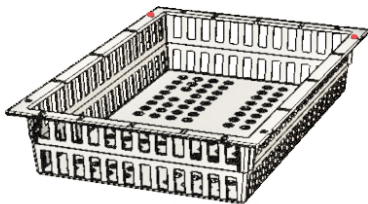
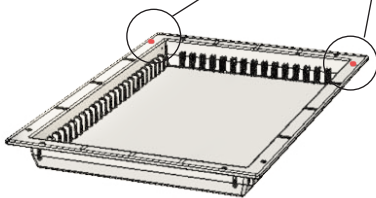


Call Free: 1.800.848.1633 • Fax Free: 1.800.447.2923
GoHCL.com • hcl@GoHCL.com

INSTRUCTIONS FOR Storage Rack (#18529)

Note: Before placing your Baskets/Trays, you must attach two stops at the back end of each Basket/Tray as shown below. If you attach the stops on the top angled Basket/Tray you must load the Basket/Tray from the rear of the storage rack.

Stops are included with each Basket/Tray



Call Free: 1.800.848.1633 • Fax Free: 1.800.447.2923
GoHCL.com • hcl@GoHCL.com