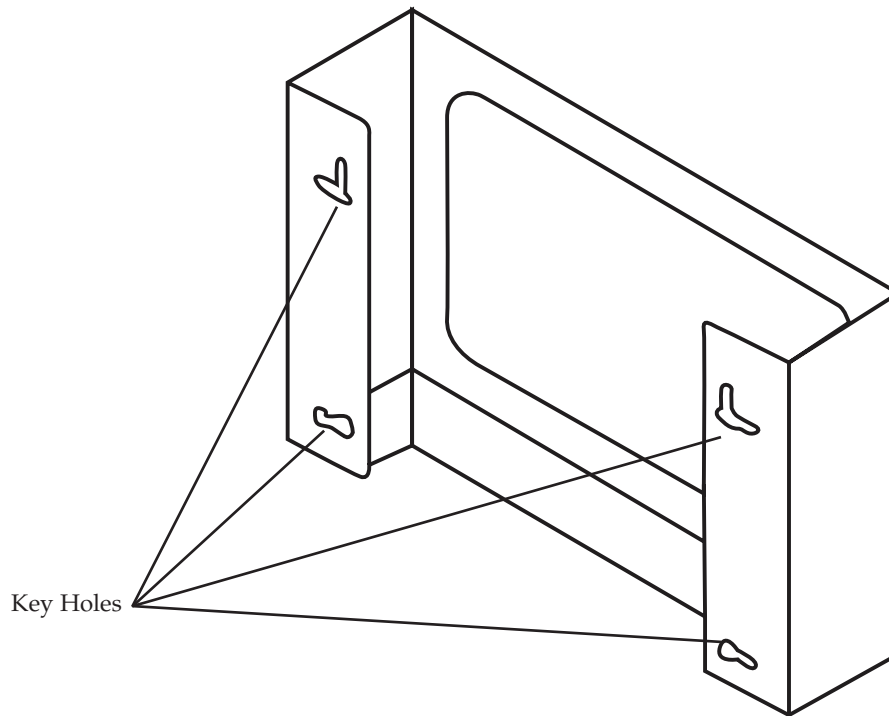


INSTRUCTIONS FOR

White Powder Coated Glove Box Holder (#7461-01)

NOTE: Be sure to select the appropriate mounting hardware to ensure safe and reliable use. Mount hardware through a stud, blocking or rigid structure where possible during installation.



There are two way key holes for mounting purposes. This unit can be placed on the wall either horizontally or vertically.

You will receive a screw and washer for each mounting hole. The washer will go between the product and the screw head. Place the product on the wall, then the washer, then screw through both.

Call Free 1.800.848.1633 • Fax Free 1.800.447.2923

Web: GoHCL.com • Email: hcl@GoHCL.com