




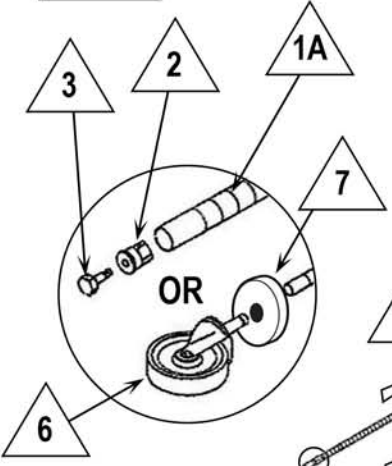
# ASSEMBLY INSTRUCTIONS FOR

## Supply & Transport Cart (#18329)

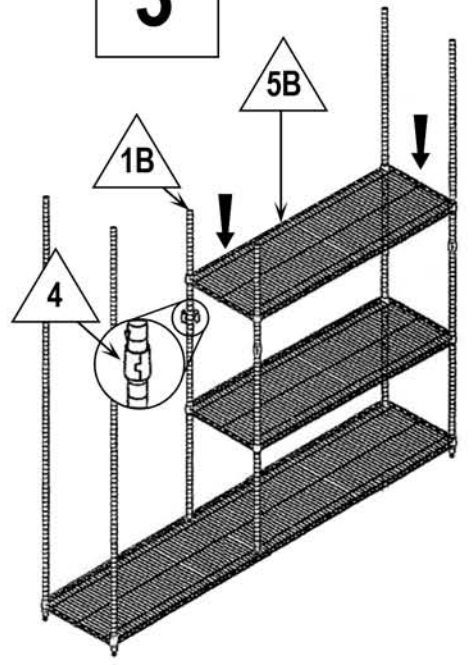
### CONTENTS

| REF. | QTY. | DESCRIPTION  |
|------|------|--|
| 1A   | 4    | 63" POSTS  |
| 1B   | 2    |  |
| 2    | 6    |  |
| 3    | 6    |   |
| 4    | 20   |  |
| 5A   | 2    | 24" x 60" SHELVES  |
| 5B   | 3    |  |
| 6    | 4    | 5" SWIVEL CASTERS<br>(2 WITH BRAKE)  |
| 7    | 4    | DONUT BUMPERS  |

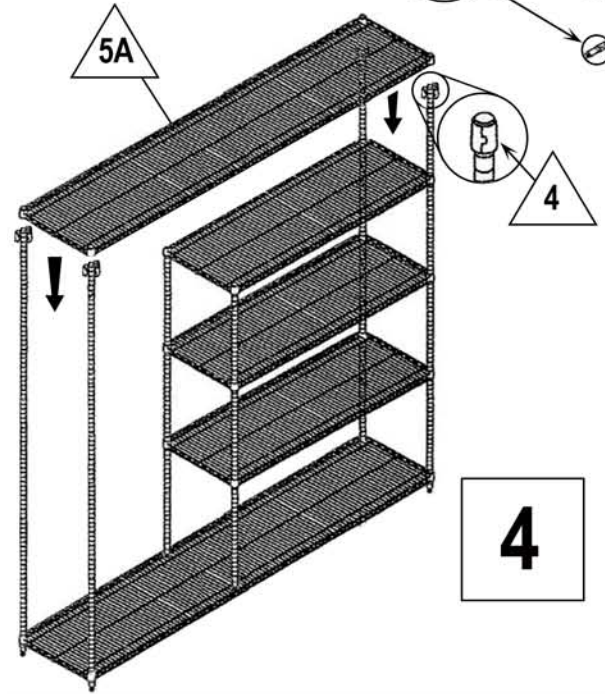
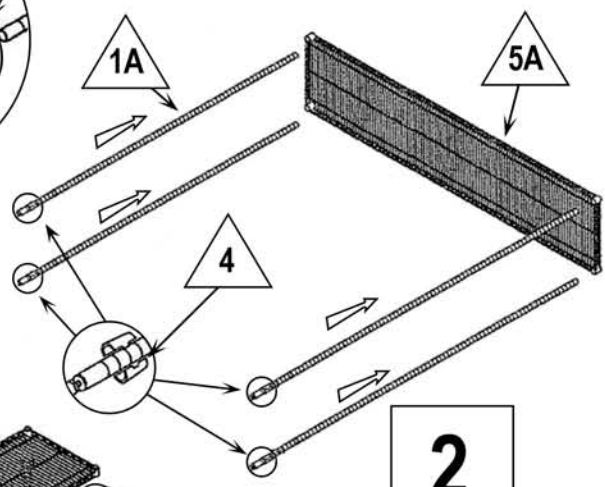
**1**



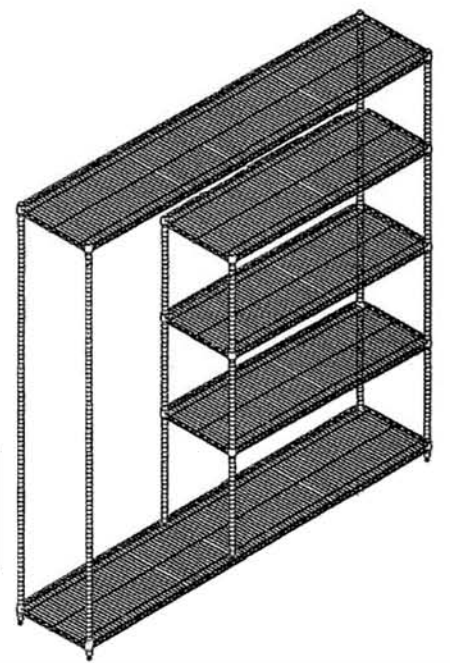
**3**



**2**



**5**



Call Free 1.800.848.1633 or 1.888.HCL-INTL Fax Free 1.800.447.2923  
 Website: [www.HealthCareLogistics.com](http://www.HealthCareLogistics.com) • Email: [hcl@HealthCareLogistics.com](mailto:hcl@HealthCareLogistics.com)