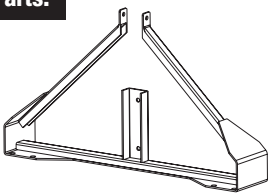


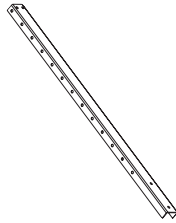
# INSTRUCTIONS FOR Bin Cart with Work Center (#1436)



## Parts:



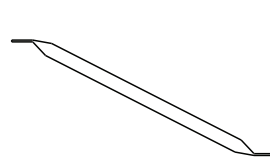
Base Assembly  
**A** x 2



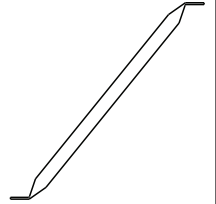
Vertical Bar  
**B** x 2



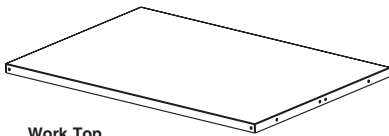
Cross Bar  
**C** x 12



Horizontal Brace  
**D** x 4



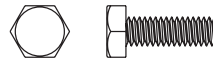
Work Top Brace  
**E** x 4



Work Top  
**F** x 1



Handle  
**G** x 1



1/4" - 20 x 3/4 Hex Head  
Bolt  
**H** x 16



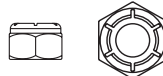
**I** x 16  
1/4" - 20 NUT



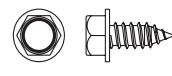
1/4" Lock Washer  
**J** x 16



5/16" - 18 x 3/4 Hex Head  
Bolt  
**K** x 16



5/16" - 18 Nylon Lock Nut  
**L** x 16



#14 x 5/8" Hex Head Sheet Metal Screw  
**M** x 48



Swivel Caster  
**N** x 3

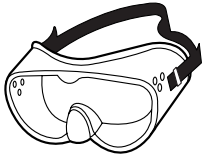


Swivel Caster w/ Brake  
**O** x 1

Call Free: 1.800.848.1633 • Fax Free: 1.800.447.2923  
GoHCL.com • hcl@GoHCL.com

# INSTRUCTIONS FOR Bin Cart with Work Center (#1436)

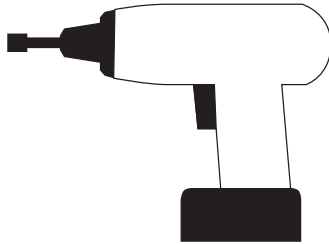
## Tools:



Goggles



7/16" Socket on Ratchet



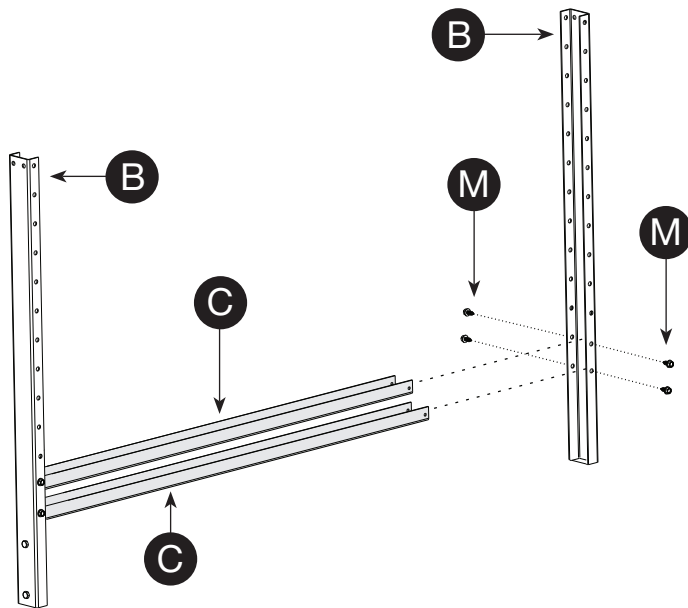
Cordless Drill with 3/8"  
Hex Nut Driver Bit



7/16", 1/2" Open End Wrench

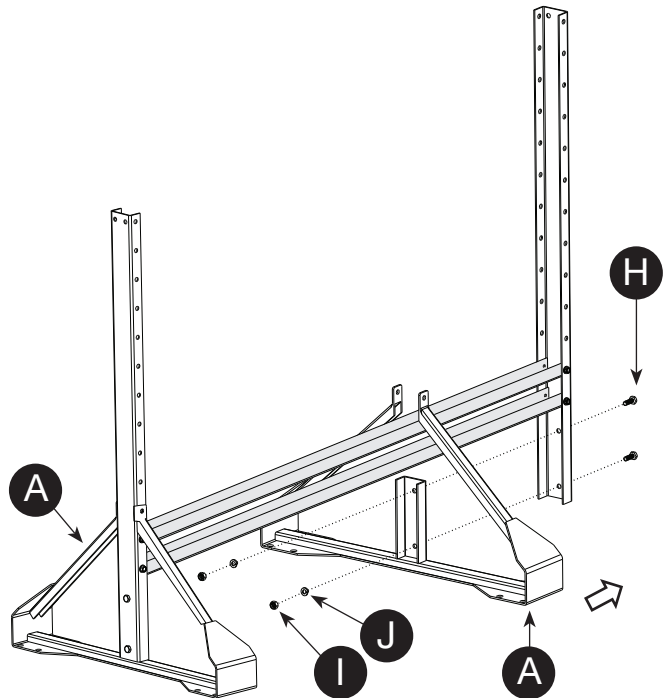
**1**

Attach the lowest two cross bars (C) to the two vertical bars (B) using four #14 sheet metal screws (M). The open side of the cross bar faces up.



**2**

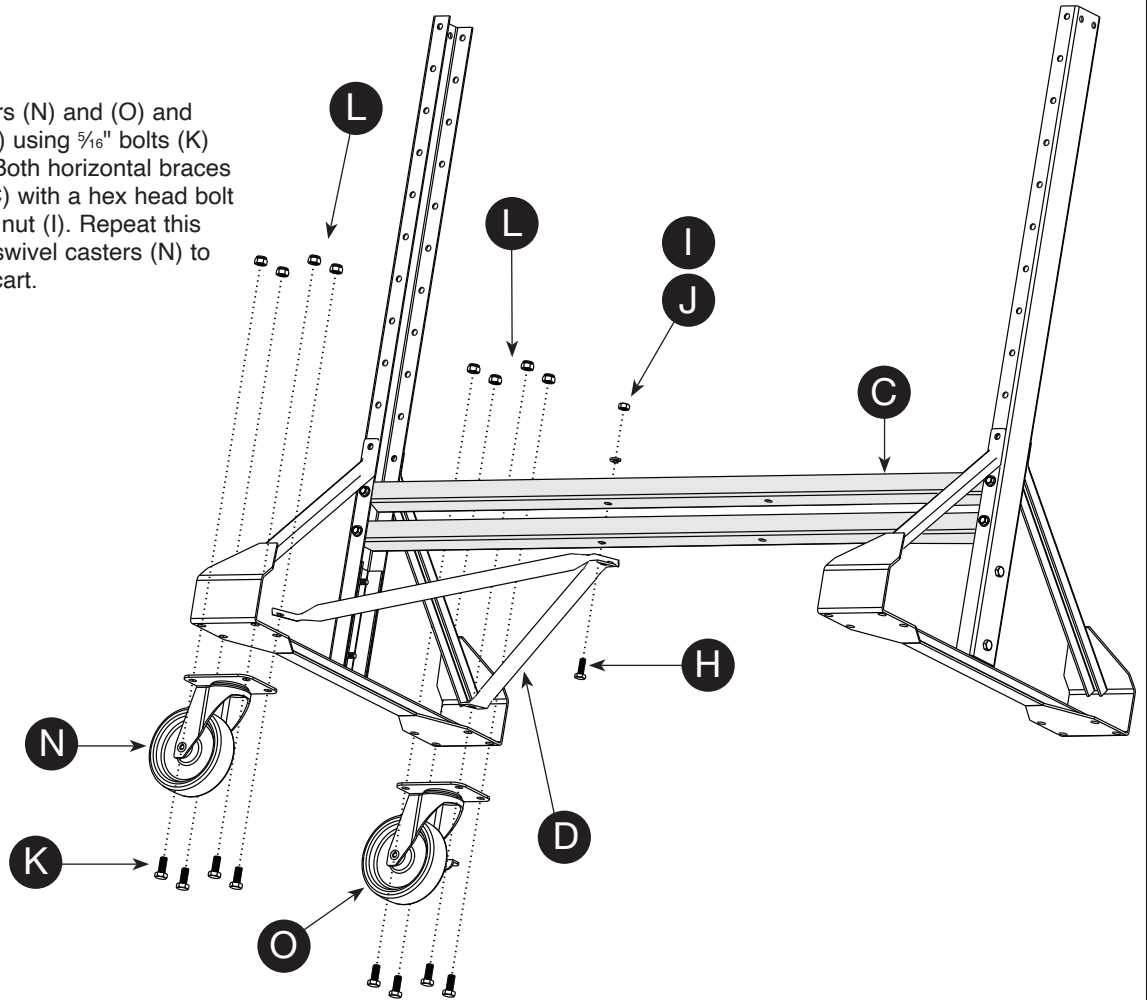
Attach each base assembly (A) using hex head bolts (H), lock washers (J) and nuts (I).



# INSTRUCTIONS FOR Bin Cart with Work Center (#1436)

## 3

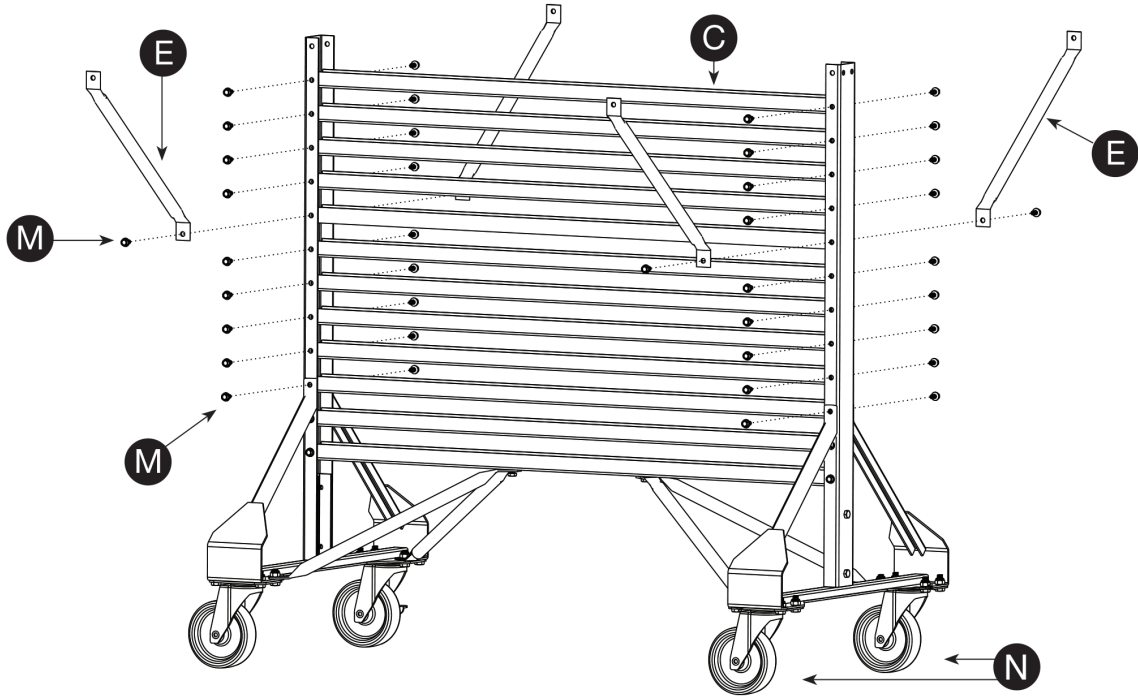
(Attach two swivel casters (N) and (O) and two horizontal braces (D) using  $\frac{3}{16}$ " bolts (K) and nylon lock nut (L).) Both horizontal braces attach to the crossbar (C) with a hex head bolt (H), lock washer (J) and nut (I). Repeat this step to install two more swivel casters (N) to the opposite end of the cart.



# INSTRUCTIONS FOR Bin Cart with Work Center (#1436)

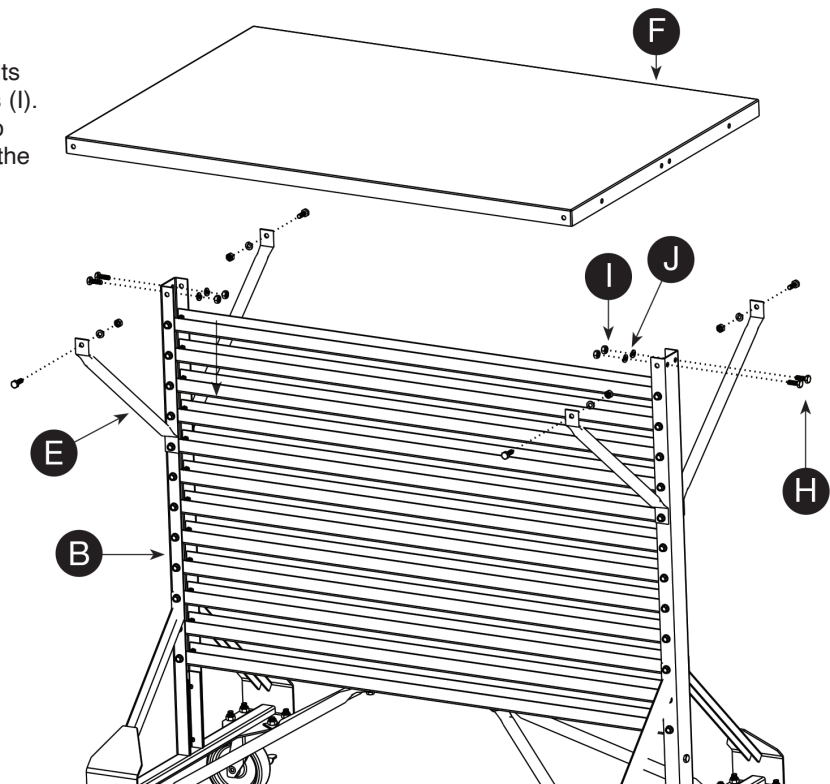
4

Working from the bottom up, attach the ten remaining cross bars (C) and the four work top braces (E) using sheet metal screws (M). The work top braces attach at the eighth cross bar up from the bottom.



5

Attach the worktop (F) to the vertical bars (B) and work top braces (E) using hex head bolts (H), lock washers (J) and nuts (I). The vertical bars and work top braces attach to the inside of the work top. See illustration #6 for details.



# INSTRUCTIONS FOR Bin Cart with Work Center (#1436)

6

Attach the handle (G) to the work top (F) using hex bolts (H), lock washers (J) and nuts (I). Attach the handle to the same end of the cart as swivel casters (N) and (O).

