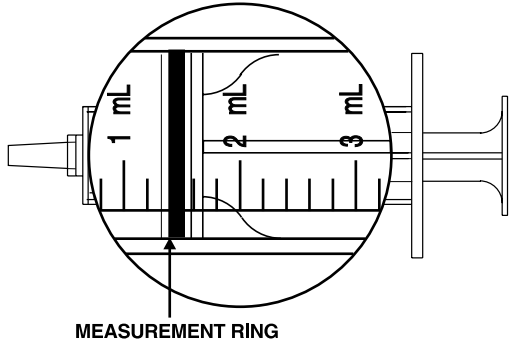


INSTRUCTIONS FOR ORAL SYRINGES

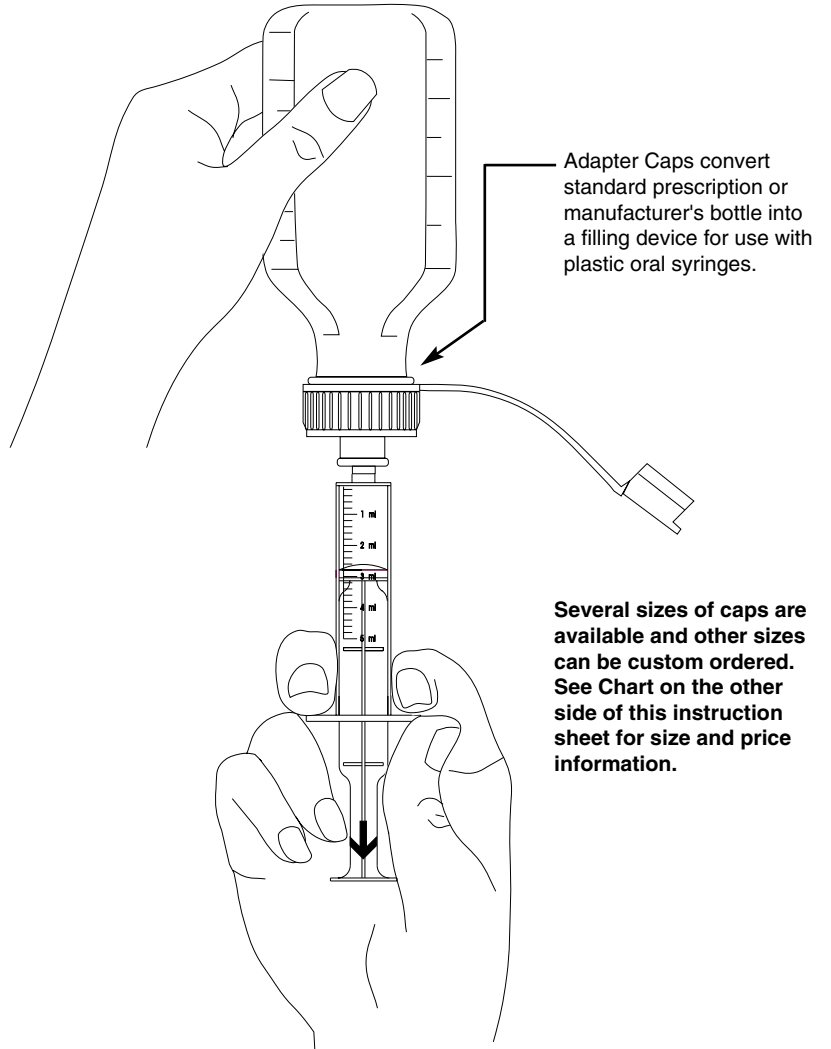
1. Ensure that the plunger is fully depressed before filling syringe. Use appropriate filling accessory to draw medication into syringe (see below). For accurate measurement, use the edge of the black silicone ring closest to the medication as shown.



2. Cap and label the dispensers.
3. Patient should be in a sitting position when administering oral liquid medication. Slowly depress plunger, directing fluid towards inside of cheek to allow for natural swallowing. **Forceful squirting to the back of the throat may cause choking.**

Each syringe should be used for only one medication and one patient.

CAUTION: Keep tip caps out of the reach of children.



Adapter Caps Sizes

HCL #	HCL #	HCL #	HCL #
7880	7884	7886	7883
18 mm	22 mm	24 mm	28 mm

Tapered Bottle Adapter HCL #7849 From 16 mm to 22 mm

22 mm
16 mm